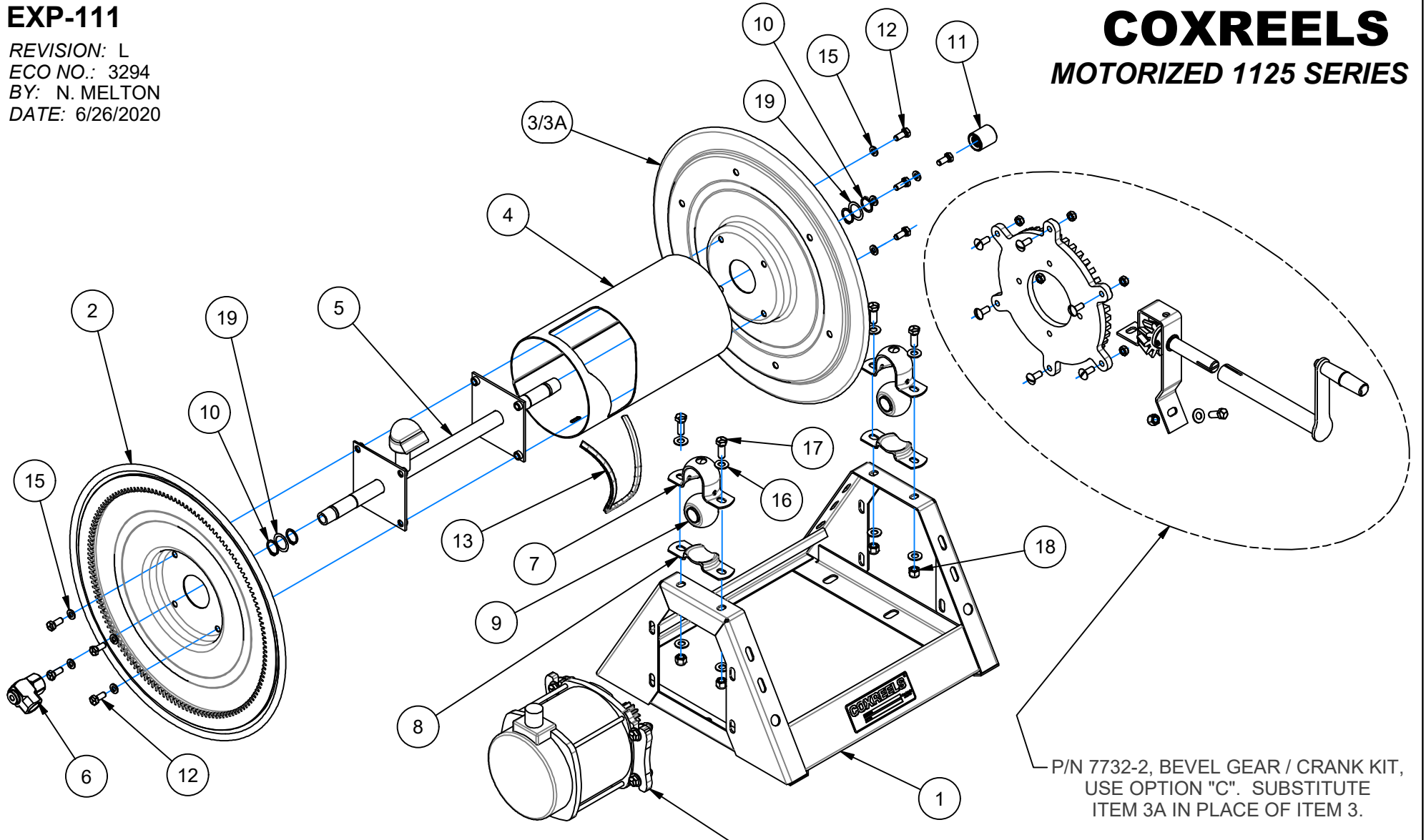


# EXP-111

REVISION: L  
 ECO NO.: 3294  
 BY: N. MELTON  
 DATE: 6/26/2020

# COXREELS MOTORIZED 1125 SERIES



P/N 7732-2, BEVEL GEAR / CRANK KIT,  
 USE OPTION "C". SUBSTITUTE  
 ITEM 3A IN PLACE OF ITEM 3.

MOTOR OPTIONS AVAILABLE  
 ON 1125 SERIES REELS  
 (FOR INDIVIDUAL PART #'s  
 SEE DRAWING # CM-1125)

OPTION	MOTOR TYPE	KIT NUMBER
-A	AIR (#4 CASE SIZE)	CM-1125-A
-EA	115VAC ELECTRIC, EXPL PROOF(1/2HP)	CM-1125-EA
-EB	24VDC ELEC., EXPL PROOF (1/2HP)	CM-1125-EB
-ED	12VDC ELEC., EXPL PROOF (1/2HP)	CM-1125-ED
-E	12VDC ELECTRIC (1/3HP)	CM-1125-E
-EF	24VDC ELECTRIC (1/3 HP)	CM-1125-EF
-H	HYDRAULIC	CM-1125-H
-AB	AIR (#6 CASE SIZE)	CM-1125-AB

**EXP-111**

**COMMON PARTS TO ALL 1125 SERIES REELS (W/ MOTOR)**

ITEM NO.	PART NO.	DESCRIPTION	QTY REQ'D
7	20064-T	PILLOW BLOCK, MTG, TOP	2
8	20064-B	PILLOW BLOCK, MTG, BOTTOM	2
12	312	BOLT, 5/16-18 X 3/4" LG.	8
15	112	WASHER, LOCK, 5/16"	8
16	157	WASHER, FLAT, 3/8"	8
17	20016	BOLT, 3/8-16 X 1" LG.	4
18	435	NUT, LOCKING, 3/8-16	4

ITEM NUMBER

MODEL NO.	ITEM NUMBER											
	1	2	3	3A	4	5	6	9	10	11	13	19
	FRAME	DISC,W/GEAR	DISC	DISC	CENTER DRUM	AXLE ASSY	SWIVEL	BEARING (2)	R. RING (4)	PIPE CAP	TRIM	WASHER (2)
1125P-4-6-X	7456-6	7450	7416	7485	7414-6	7408-6-SS	434-FG-SS	20649	153	7422-SS	7460-10	9312
1125P-4-8-X	7456-8	7450	7416	7485	7414-8	7408-8-SS	434-FG-SS	20649	153	7422-SS	7460-10	9312
1125P-4-12-X	7456-12	7450	7416	7485	7414-12	7408-12-SS	434-FG-SS	20649	153	7422-SS	7460-10	9312
1125-4-100-X	7456-6	7450	7416	7485	7414-6	7408-6	439	20649	153	7422	7460-10	9312
1125-4-200-X	7456-12	7450	7416	7485	7414-12	7408-12	439	20649	153	7422	7460-10	9312
1125-4-325-X	7456-18	7450	7416	7485	7414-18	7408-18	439	20649	153	7422	7460-10	9312
1125-4-450-X	7456-24	7450	7416	7485	7414-24	7408-24	439	20649	153	7422	7460-10	9312
1125-4-500-X	7456-28	7450	7416	7485	7414-28	7408-28	439	20649	153	7422	7460-10	9312
1125-5-50-X	7456-6	7450	7416	7485	7414-6	7413-6	426	15515	15015	7423	7460-10	-
1125-5-100-X	7456-12	7450	7416	7485	7414-12	7413-12	426	15515	15015	7423	7460-10	-
1125-5-175-X	7456-18	7450	7416	7485	7414-18	7413-18	426	15515	15015	7423	7460-10	-
1125-5-200-X	7456-24	7450	7416	7485	7414-24	7413-24	426	15515	15015	7423	7460-10	-
1125-5-250-X	7456-28	7450	7416	7485	7414-28	7413-28	426	15515	15015	7423	7460-10	-
1125-6-35-X	7456-9.5	7526	7500	8930	7501-9.5	7504-9.5	15257-1	7507	15012	7509	7460-16	-
1125-6-50-X	7456-15.5	7526	7500	8930	7501-15.5	7504-15.5	15257-1	7507	15012	7509	7460-16	-
1125-6-75-X	7456-22	7526	7500	8930	7501-22	7504-22	15257-1	7507	15012	7509	7460-16	-
1125-6-100-X	7456-28	7526	7500	8930	7501-28	7504-28	15257-1	7507	15012	7509	7460-16	-

X = A, EA, EB, ED, E, EF, H, OR AB FOR MOTOR OPTIONS AVAILABLE ON ALL 1125 SERIES REELS

X = AC, EAC, EBC, EDC, EC, EFC, HC, OR ABC FOR MOTOR OPTIONS AND BEVEL GEAR / CRANK OPTION

REV: K  
REV: L

ECO: 2944  
ECO: 3294

DATE: 7/19/2012  
DATE: 6/26/2020

NAME: J. KUSBEL  
NAME: N. MELTON