

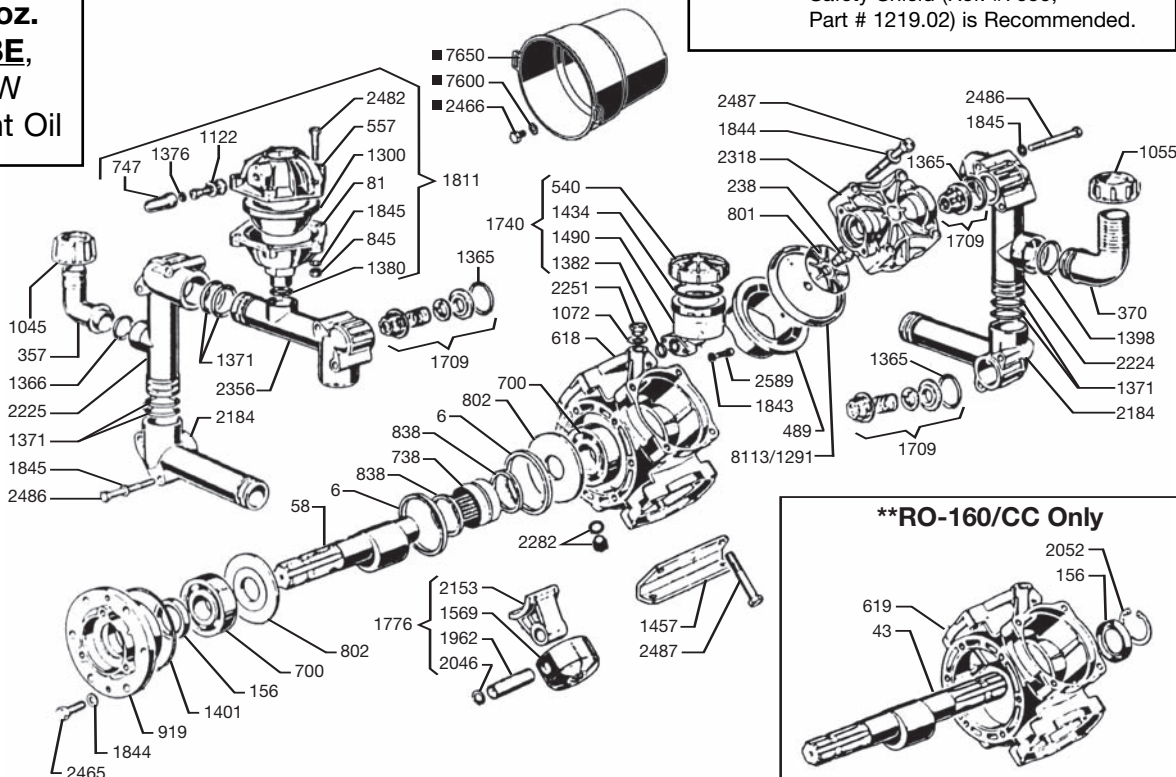


# RO-160/C – RO-160/CC

## Exploded View Diagram and Parts List

**RO-160 PUMPS**  
Require **44 oz.**  
**UDOR LUBE,**  
or SAE 30W  
Non-detergent Oil

■ **NOTE** - For ALL PTO Drive Applications,  
Safety Shield (Ref. #7650,  
Part # 1219.02) is Recommended.



REF#	PART#	DESCRIPTION	QTY	REF#	PART#	DESCRIPTION	QTY
6	0001.08	Retainer Ring	2	1398	1101.42	O-Ring	1
**43	0002.29	Crankshaft (RO-160/CC)	1	1401	1101.58	O-Ring	1
58	0002.46	Crankshaft (RO-160/C)	1	1434	1101.D1	O-Ring	1
81	0003.15	Pressure Accumulator	1	1457	1202.29	Mounting Rail	2
156	0007.02	Seal (Qty. 2 for RO-160/CC)	1	1490	1203.27	Oil Reservoir	1
238	0102.03	Diaphragm Bolt	4	1569	1205.06	Aluminum Piston	4
357	0202.18	Discharge Elbow	1	1709	6006.08	Valve Assembly	8
370	0202.78	Suction Elbow	1	1740	6033.01	Oil Reservoir Assembly	1
489	0206.14	Piston Sleeve	4	1776	6015.30	Piston & Rod Assembly	4
540	0208.98	Oil Reservoir Cap	1	1811	6031.09	Accumulator Assembly	1
557	0208.20	Accumulator Head	1	1843	1403.07	Washer	2
618	0209.25	Pump Body (RO-160/C)	1	1844	1403.09	Washer	18
**619	0209.26	Pump Body, T.S. (RO-160/CC)	1	1845	1403.10	Washer	22
700	0214.04	Ball Bearing	2	1962	1502.01	Connecting Rod Pin	4
738	0216.07	Roller Bearing	1	2046	1506.02	Snap Ring	8
747	0218.01	Air Valve Cap	1	**2052	1506.16	Snap Ring	1
801	0301.07	Retainer Washer	4	2153	1519.20	Connecting Rod	4
802	0301.28	Washer	2	2184	1601.12	Manifold	5
838	0302.59	Spacer Ring	2	2224	1602.20	Suction Manifold	1
845	0303.01	Hex Nut	6	2225	1602.21	Discharge Manifold	1
919	0501.67	Bearing Flange	1	2251	1603.02	Oil Plug	1
1045	0604.32	Barb Nut	1	2282	1603.50	Drain Plug	1
1055	0604.50	Barb Nut	1	2318	1604.36	Head	4
1072	0605.09	Aluminum Gasket	1	2356	1605.15	Discharge Manifold	1
1122	0608.16	Air valve Assembly	1	2465	1804.03	Bolt	6
1291	0903.02	Piston Diaphragm, BUNA-N Optional	4	■ 2466	1804.06	Bolt	3
*1300	0903.14	Accumulator Diaphragm	1	2482	1804.09	Bolt	6
*1365	1101.01	O-Ring	8	2486	1804.79	Bolt	16
1366	1101.02	O-Ring	1	2487	1804.25	Bolt	16
1371	1101.07	O-Ring	16	2589	1805.31	Bolt	2
1376	1101.16	O-Ring	1	■ 7600	1403.36	Washer	3
1380	1101.25	O-Ring	1	■ 7650	1219.02	PTO Safety Shield optional	1
1382	1101.29	O-Ring	1	*8113	0903.34	Piston Diaphragm, DESMOPAN Standard	4

\* Parts Included in Diaphragm Repair Kit - #8700.09. (Also available in BUNA-N - #8700.16.)

**RO-160/C & 160/CC**



# RO-160/C – RO-160/CC

## Low Pressure Diaphragm Pumps

RO-160 low pressure diaphragm pumps are excellent for various horticultural and agricultural spraying applications. Simplicity of design and common parts allow easy and affordable maintenance.

Liquid handling parts are plasticized aluminum, glass-filled nylon and stainless steel. Built-in pulsation dampener is standard on all models.

Standard RO-160 comes with a 1-3/8" six-splined male PTO shaft. RO-160/CC comes with a dual 1-3/8" six-splined male PTO thru-shaft.

For industrial uses and spraying applications not listed, please consult UDOR U.S.A. For all PTO drive app. safety shield part # 1219.02 is recommended.

For Thrushaft protection, order part # 1219.15.



RO-160/C & 160/CC

### SPECIFICATIONS

Maximum Flow .....	42 GPM
Maximum Pressure.....	300 PSI
Maximum Pump Speed .....	540 RPM
Maximum Temperature .....	140°F
Ports	
Inlet .....	1-1/2" Hose Barb
Discharge .....	1" Hose Barb
Dimensions .....	L-12" x W-15.5" x H-17"
Weight .....	56 lbs.
Diaphragm Material	
Standard.....	DESMOPAN
Optional .....	BUNA-N

NOTE - Protect pumps from freezing. If freezing conditions exist, flush pump and system with a 50/50 mixture of antifreeze and water.