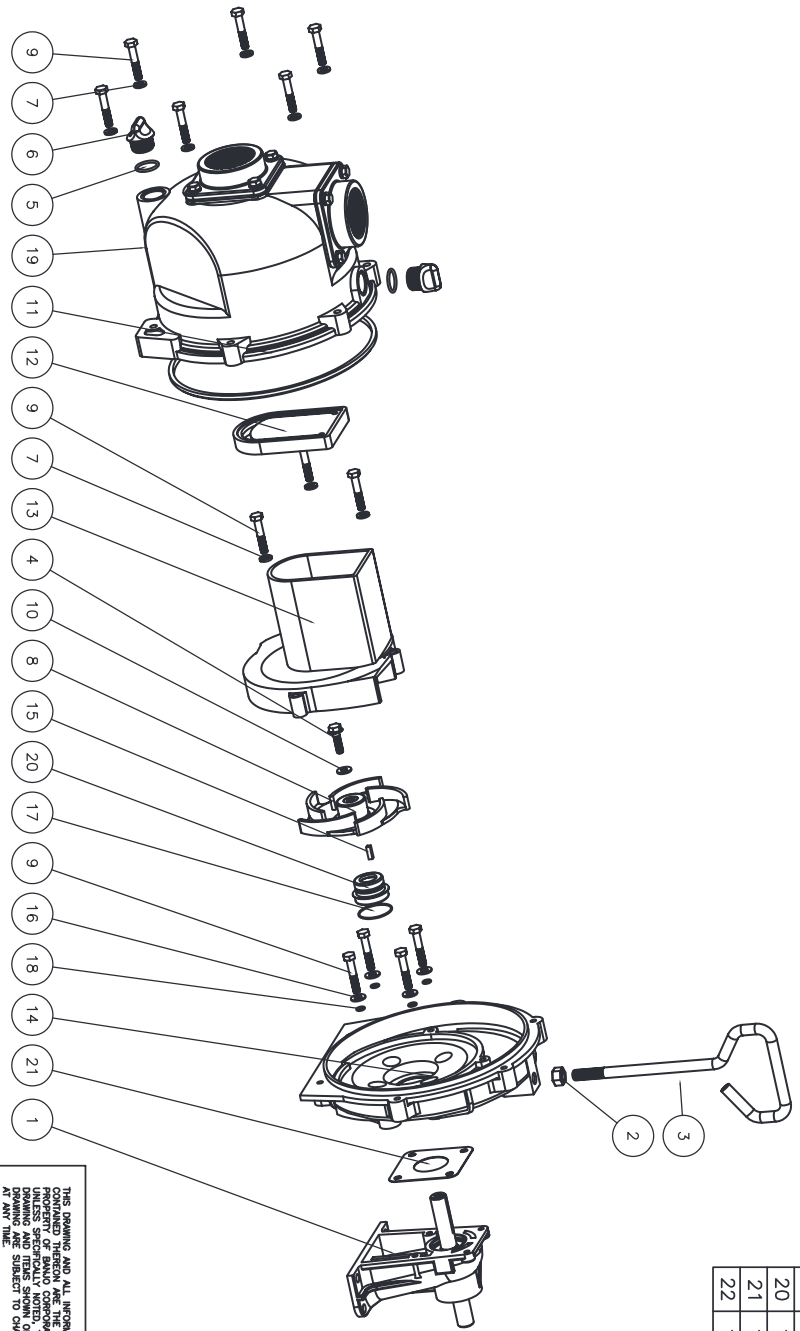
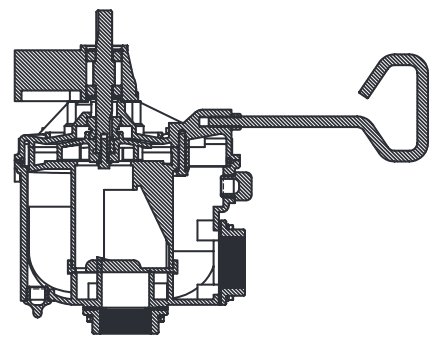
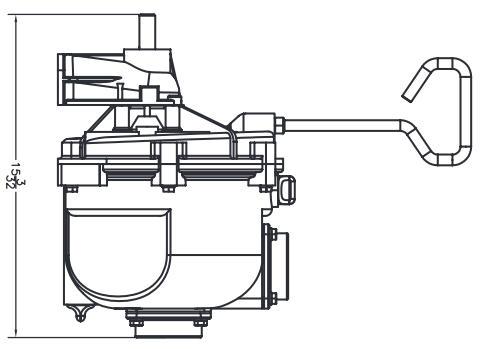
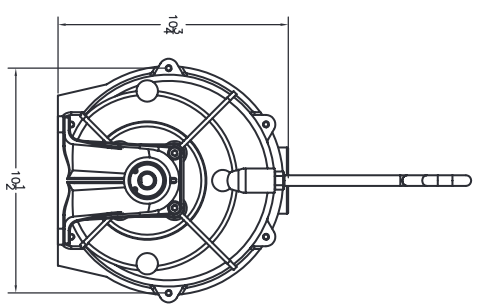


Parts List

Item	Qty	PART NO.	DESCRIPTION
1	1	12882A	BEARING PEDESTAL
3	1	15022	2" PUMP HANDLE
4	1	12765A	HHFS 5/16-24X1.13
5	2	13778	2-119 ORING
6	2	13777	PRIME/DRAIN PLUG
7	9	V10118	5/16" LOCKWASHER
8	1	15772	5 VANE IMPELLER
9	13	12715A	HHCS 5/16-24X1.75
10	1	12774VA	IMPELLER BOLT GASKET
11	1	12719A	2-375 ORING
12	1	12705	CHECK VALVE
13	1	15702	VOLUTE
14	1	15703	REAR BRACKET
15	1	12902A	3/16 SQ X 5/8 KEY
16	4	12901	5/16" FLAT WASHER
17	1	12710	2-029 ORING
18	4	12717	2-011 ORING
19	1	15712	PUMP BODY ASSY.
20	1	12733V	MECH. SEAL ASSY.
21	1	15751	REAR BRKT SHIM
22	1	12910	PUMP DECAL (N/S)



THIS DRAWING AND ALL INFORMATION CONTAINED HEREIN ARE THE EXCLUSIVE PROPERTY OF BANUO CORPORATION. UNLESS SPECIFICALLY NOTED, THIS DRAWING AND DIMENSIONS SHOWN ON THIS DRAWING ARE SUBJECT TO CHANGE.



**BANUO CORPORATION**  
 150 BANUO DR. • CRAWFORDVILLE, IN 47933

PART NO. 222PBI

TITLE 15000 SERIES PUMP W/ BEARING PEDESTAL