

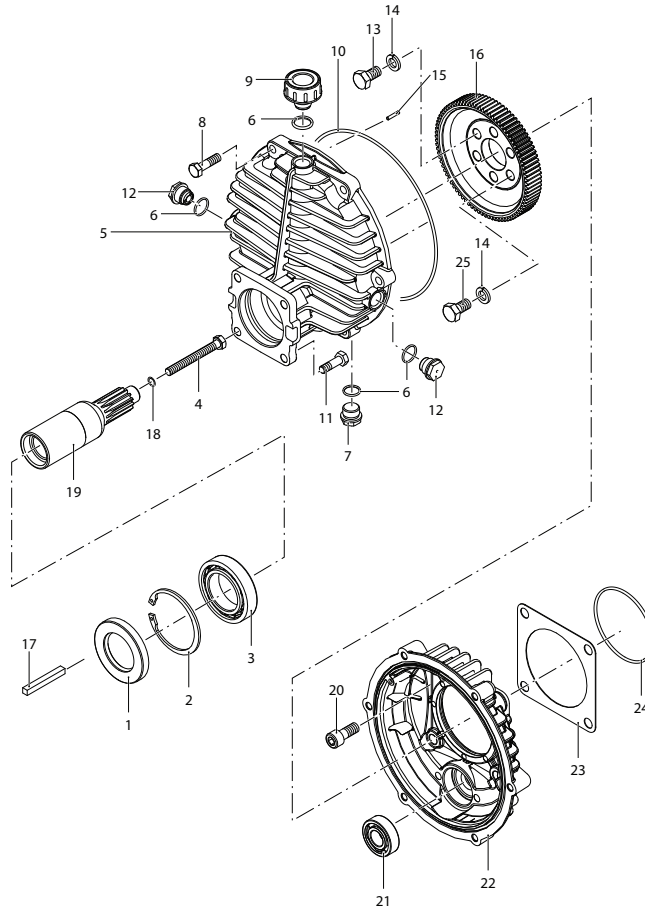
A.R. NORTH AMERICA

AR 1666 : Gear Reduction

Per - For: AR 30 - AR 303 - AR 403

Use of engine :
 B&S Vanguard 6.5
 Kohler SH 265
 Kohler SH 270
 Honda GX 120
 Honda GX 160
 Honda GP 160
 Honda GP 200
 Axo AMG 120
 Axo AMG 121
 Axo AMG 200
 Axo AMG 201
 Axo AMG 20
 Robin Ex 17
 Rato EHR 160
 Rato EHR 210

For gas engine with 3/4" shaft
 Ø 3/4" Straight Keyed Shaft
 SAE J609a



108 - 1

Gear boxes

Pos	Cod.	Description	Q.ty	Note
1	540331	Seal	1	
2	200390	Snap ring	1	
3	621130	Bearing	1	
4	2960050	Bolt	1	T177*
5	2960020	Body	1	
6	740290	O-ring	4	
7	1989600	Plug	1	Alt 88530 21mm hex
8	390450	Bolt	6	T177*
9	2960070	Plug	1	
10	2960060	O-ring	1	
11	1382050	Bolt	4	T221*
12	1980290	Sight glass	2	
13	620340	Bolt	3	T217*
14	200231	Washer	6	
15	2960080	Pin	1	
16	2960030	Gear	1	Z=85
17	881090	Key	1	
18	600180	O-ring	1	Ø 7.66x1.78
19	2960040	Pinion	1	Z=14 (3/4")
20	160671	Bolt	4	T221*
21	1220260	Bearing	1	
22	2960010	Cover	1	
23	650270	Gasket	1	
24	620561	O-ring	1	Ø 78x2.5
25	160670	Bolt	3	T217*

*Torque: in-lbs +/- 10%

Suggested oil: AR64532GL 90W Gear Lube (32 oz)
 - Gear Lube capacity: 14 oz