

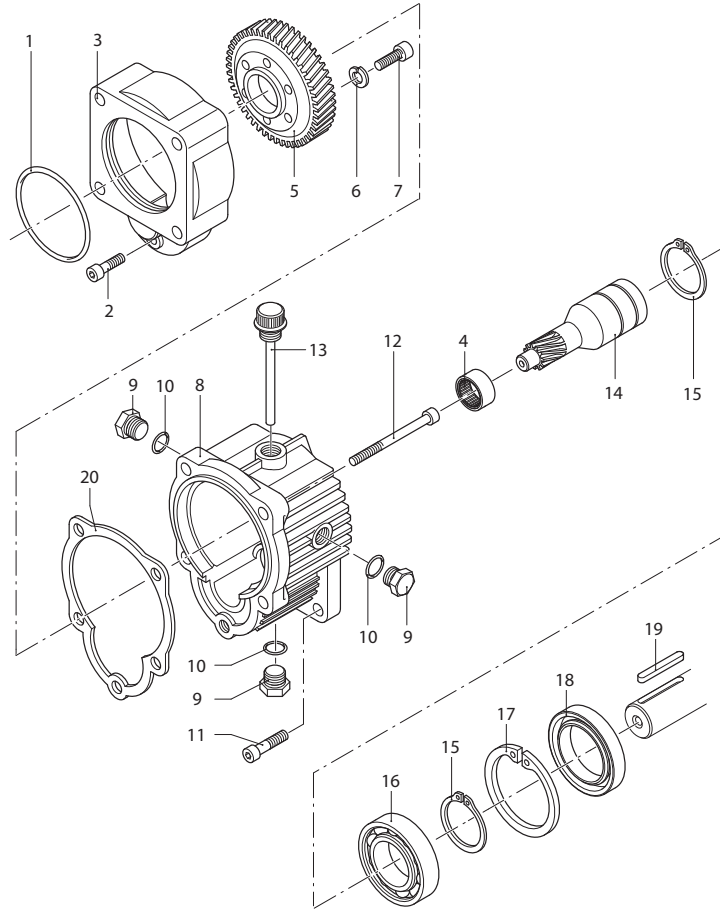
A.R. NORTH AMERICA

AR 1636 : Gear Reduction

Per - For: AR 30 - AR 303 - AR 403

Use of engine :
 B&S Vanguard 6.5
 Kohler SH265 - CH270
 Honda GX120 - GX160 - GP160 - GP200
 Subaru EX17 - EX21

For gas engine w/1" shaft
 Ø 3/4" Straight Keyed Shaft
 SAE J609a



106 - 1

Pos	Cod.	Description	Q.ty	Note
1	620561	O-ring	Ø 78x2,5	1
2	180030	Bolt	TCEI M8x20	1 T220*
3	621000	Adapter Flange		1
4	620990	Bearing		1
5	651620	Gear	Z=64	1
6	200231	Washer		3
7	620470	Bolt	TCEI M10x20	3 T150*
8	620960	Body		1
9	1989600	Plug	3/8" G brass	3 T180*
10	740290	O-ring	Ø 14x1,78	3
11	651000	Bolt	5/16"x24UNFx1"	4 Geomet T220*
12	621010	Bolt	TCEI M10x75	4 T220*
13	1140370	Oil Dipstick		1
14	621660	Pinion	Z=11	1
15	320240	Ring	circlip Øe 40	2
16	961780	Bearing		1
17	961790	Ring	circlip Øi 68	1
18	961800	Oil seal		1
19	881090	Key		1
20	620950	Gasket		1

*Torque: in-lbs +/- 10%

Suggested oil: AR64532GL 90 W Gear Lube (32 oz)
 - Gear Lube capacity: 13 oz