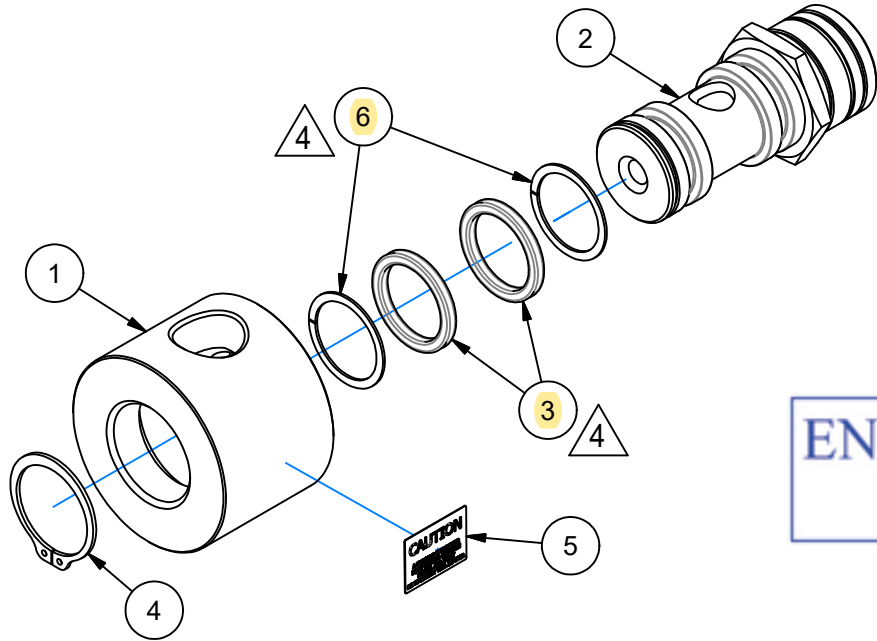


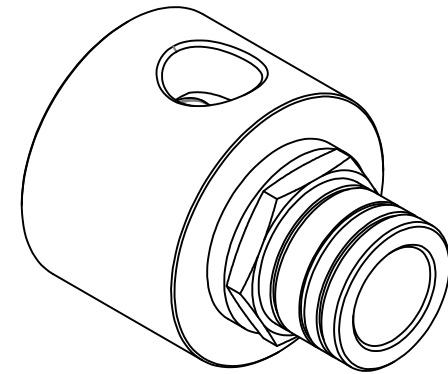
REVISIONS

426-

REV	ECO	DESCRIPTION	DATE	BY
G	2633-5	"NITRILE" WAS "BUNA-N". ALL "426-BSP-#" WERE "426-#-BSP-".	10/06/08	ML
H	3011-1	ADDED TEFLON BACKUP RINGS ITEM 6, 2 PLACES	3/17/14	JFK
J	3359-1	CHANGED SEAL STYLE, WAS O-RINGS, IS X-RINGS. ADDED FOOD GRADE SWIVELS TO DRAWING.	1/30/23	JFK
J	N/A	ADDED NOTE 4.	2/03/23	JFK



ENGINEERING
PRINT



PART NO.	ITEM 1	ITEM 2	THREAD	ITEM 3	MATERIAL (ITEM 3)	ITEM 4
426	1800	325	3/4-14 NPT	9435	CARBOXYLATED NITRILE	279
426-1	1800	325	3/4-14 NPT	9435-1	VITON	279
426-2	1800	325	3/4-14 NPT	9435-2	EPDM	279
426-SS	1800-SS	325-SS	3/4-14 NPT	9435	CARBOXYLATED NITRILE	279-SS
426-1-SS	1800-SS	325-SS	3/4-14 NPT	9435-1	VITON	279-SS
426-2-SS	1800-SS	325-SS	3/4-14 NPT	9435-2	EPDM	279-SS
426-BSP	1800-BSP	325-BSP	3/4-14 BSPT	9435	CARBOXYLATED NITRILE	279
426-BSP-1	1800-BSP	325-BSP	3/4-14 BSPT	9435-1	VITON	279
426-BSP-2	1800-BSP	325-BSP	3/4-14 BSPT	9435-2	EPDM	279
426-BSP-SS	1800-BSP-SS	325-BSP-SS	3/4-14 BSPT	9435	CARBOXYLATED NITRILE	279-SS
426-BSP-1-SS	1800-BSP-SS	325-BSP-SS	3/4-14 BSPT	9435-1	VITON	279-SS
426-BSP-2-SS	1800-BSP-SS	325-BSP-SS	3/4-14 BSPT	9435-2	EPDM	279-SS
426-FG	1800	325	3/4-14 NPT	9435-FG	FOOD GRADE (FDA) NITRILE	279
426-FG-SS	1800-SS	325-SS	3/4-14 NPT	9435-FG	FOOD GRADE (FDA) NITRILE	279-SS

6	2	8993	BACKUP RING, TEFLON, 2-214
5	1	10930	LABEL: CAUTION
4	1	SEE TABLE	RING: RETAINING, #5100-125
3	2	SEE TABLE	X-RING: #2-214
2	1	SEE TABLE	SPOOL: 3/4" SWIVEL
1	1	SEE TABLE	BODY: 3/4" SWIVEL
ITEM	QTY	P/N	DESCRIPTION

NOTES:

- SEALKIT CONSISTS OF:
ITEM 3: QTY-2, ITEM 6: QTY-2
PLASTIC BAG, PART NO: 366, QTY-1
- SEALKIT PART NUMBER IS SWIVEL PART NUMBER WITHOUT ANY MATERIAL OR THREAD INFO, BUT WITH "SEALKIT" ADDED.
EXAMPLE: SWIVEL: 426-BSP-1-SS
SEALKIT: 426-1-SEALKIT
- ALL SEALS TO BE LUBRICATED WITH "Super Lube" BRAND O-RING GREASE.
REFERENCE Super Lube PART NUMBER: 93016
- LUBRICATE SEALS PRIOR TO INSTALLATION. BOTH SEALS (ITEM 3) MUST BE INSTALLED PRIOR TO INSTALLING BACKUP RINGS (ITEM 6). MAKE SURE SEALS ARE NOT TWISTED BEFORE INSTALLING BACKUP RINGS.

THIS DOCUMENT CONTAINS PROPRIETARY INFORMATION AND IS THE PROPERTY OF COXREELS, INC. THE COPYING, DISTRIBUTION AND UTILIZATION OF THIS DOCUMENT AS WELL AS COMMUNICATION OF ITS CONTENT TO OTHERS WITHOUT THE WRITTEN AUTHORIZATION OF COXREELS, INC., IS PROHIBITED.

DRAWN: E. CLAPPER
DATE: 03/15/94
CHK: J. RAO
DATE: 03/15/94

COXREELS

6720 S. CLEMENTINE CT.
TEMPE, ARIZONA 85283
480-820-6396

MATERIAL
SEE TABLE

TITLE:

ASSEMBLY: 3/4" SWIVEL

PROJECT: -

NEXT ASSEMBLY:
VARIOUS

INTERPRET DRAWING
PER ASME
Y14.5M-1994

SHT: 1
OF: 1

DEC. .X±.100
.XX±.010
.XXX±.005

FRACT. ± 1/32"
ANGLE ± 1'

SIZE
A

DWG. NO.:

426-

REV.
J